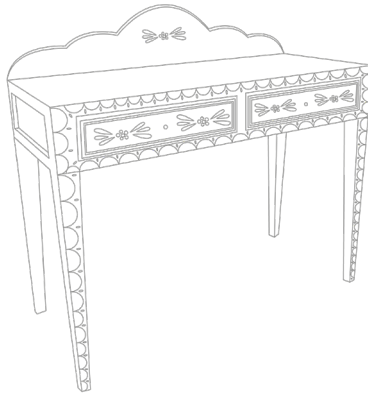


# OLIVER BONAS

## AURÉLIE DRESSING TABLE



We hope you love your purchase, however if you aren't completely happy, please retain your packaging to ensure its safe return.

### AURÉLIE FURNITURE RANGE

Each Aurélie piece has been lovingly handmade and hand painted by artisans in Jodhpur, India  
Due to this, each piece is unique and variations in colour and finish may occur

### MANGO WOOD & MDF

The framework is made from mango wood. This is local grown and harvested in India  
The backing and side panels are made from MDF

### FEATURES

Each leg has been fitted with levellers, simply rotate to get the perfect level

### CARING FOR YOUR FURNITURE

To keep your furniture happy, make sure you keep it dry  
Do not place in front of a radiator or in sunlight and avoid direct heat  
Similarly, do not place it outdoors or in any moist environments

Take care when moving your furniture, do not drag as this may weaken the joints, levellers and construction

Max weight 5kg

Ensure weight is evenly distributed

Keep away from fire

Be sure to use a coaster for your cup of tea

Not suitable for children's rooms

Domestic use only

### CLEANING

Wipe with a damp cloth, followed by a soft dry cloth.

Any spills should be wiped dry immediately to avoid discolouration and staining

Avoid abrasive cleaners

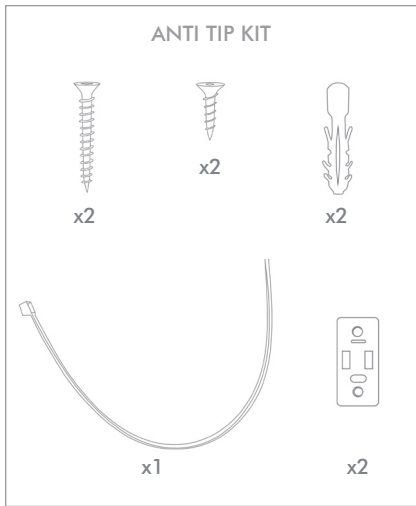
Retain this information for reference.

Oliver Bonas  
Unit F, Davis Road Industrial Park  
Chessington KT9 1TQ

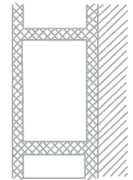
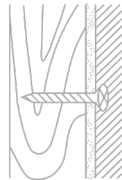
Oliver Bonas Ireland Ltd  
The Black Church St Mary's Place  
Dublin 7 Republic of Ireland

# OLIVER BONAS

## ANTI TIP KIT

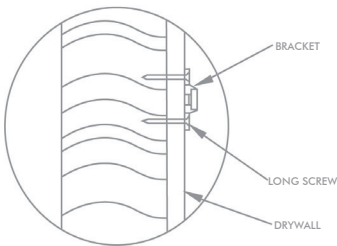


Please use the anti tip kit provided for safety. Please ensure the correct fittings are used for the chosen wall substrate:

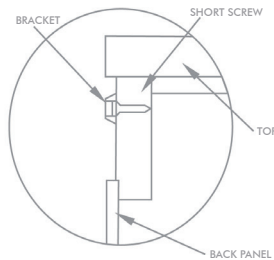


(Special fittings needed)

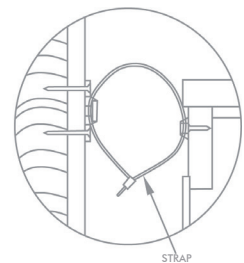
### ASSEMBLY



1. Mark the location of the hole on the wall using bracket approx 1" below the top of furniture. Pre-drill the holes at marked location & insert wall plug. Align bracket onto wall plug & secure using long screws.



2. Move the furniture to its final position against the wall and mark the location of the wall bracket on the back of the furniture. The bracket that attaches to the furniture must go into the solid wood piece at the top, not into the thinner back panel. Move the furniture away from the wall and place a bracket on the mark. Mark and drill holes for the screws using a 3/32 drill bit. Attach the bracket to the furniture using the short screws.



3. Move the furniture to its final position and align the bracket on the furniture with the bracket on the wall. Thread the strap through the bracket as shown, and tighten until snug. Do not over-tighten.

### IMPORTANT

Check that the wall bracket is firmly screwed into the stud, the furniture bracket is firmly attached to the frame, and the strap is snug.